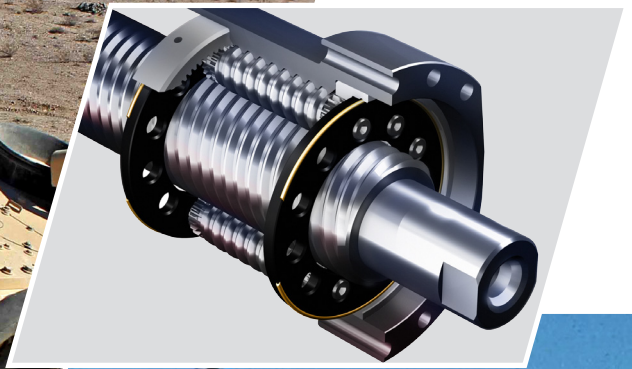


ELECTROMECHANICAL ACTUATION TECHNOLOGY

Ground Defense Solutions

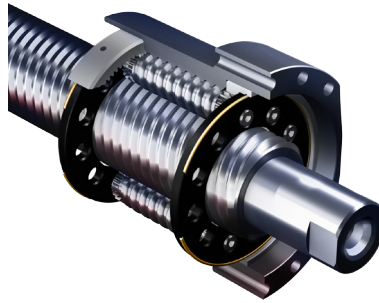
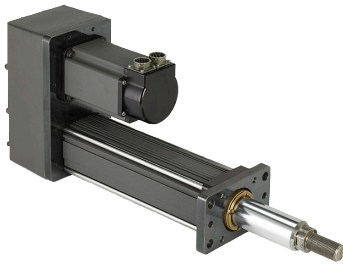
**CURTISS -
WRIGHT**



Efficient + Exact + Effective

952.500.6200

www.cw-actuation.com



The threats Soldiers face are countless, which is why it is essential that equipment withstand the most demanding requirements. From hatch doors to munitions handling, our electromechanical actuation technologies are not only precise and powerful, but reduce maintenance costs and improve operational efficiency of the vehicle.

The Curtiss-Wright Exlar® brand of electric actuators are the most rugged, robust and compact designs available, all with maximum efficiency that comes from an electric solution. With our background in commercial industrial capabilities, our wide range of offerings are readily available as modified commercial off-the-shelf (mCOTS) or COTS, while still meeting demanding requirements. Designed to be resistant to shock, vibration and environmental conditions, our actuators last up to 15x the life of others, all in an ideal weight and space claim.

Our technology is built around a unique roller screw mechanism, providing greater load carrying capabilities, and at much higher speeds than other technologies. Most importantly, our robust actuators are designed to work every single time, enhancing vehicle survivability and Soldier protection.

We can also provide engineering and design analysis as well as management of mil spec testing with approved testing agencies. We take pride in the innovation and development of dependable, superior performing products, which reflects our commitment to protecting our warfighters.

FEATURES/BENEFITS

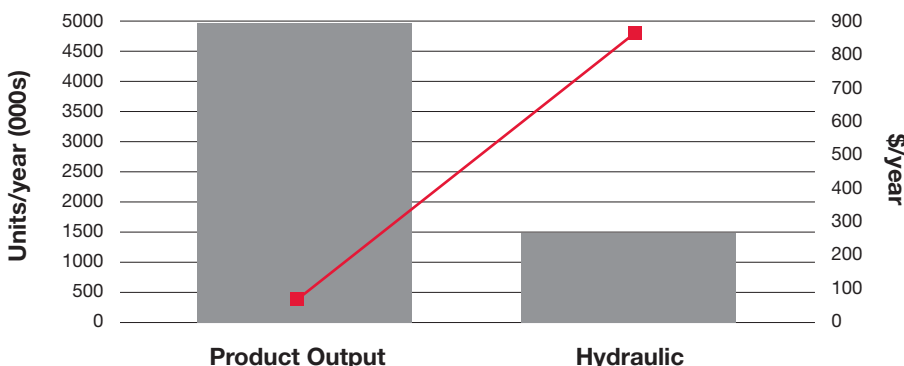
- Power efficiency with wide force range
- Long service life
- Modular, scalable and compact design to reduce size and weight
- Design flexibility with numerous mCOTS and COTS offerings
- U.S. designed, U.S. built to meet various specifications

APPLICATIONS

- Launcher positioning
- Hatch opening/closing
- Munitions handling
- Weapons positioning
- Turret control
- Gun/camera sight

COMPARISON OF ACTUATION EFFICIENCIES

Machine Comparison by Technology



HIGHER EFFICIENCY
+ LOWER CONSUMPTION
= COST SAVINGS

■ Production Output ■ Energy Cost/Year

www.cw-actuation.com